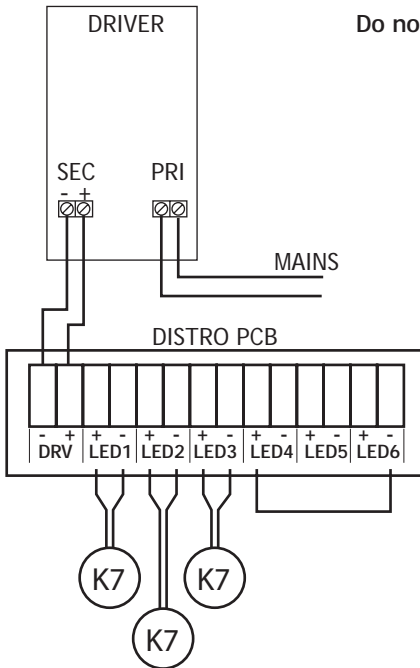




K7 TWIST

MANUAL



Do not connect to mains before going through step 1 and 2

Installation:

1. Connect the driver "SEC - +" to the Distro PCB "DRV - +"
EMC considerations: max. total cable length from Driver to Distro PCB to K7 should be 10m.
2. Connecting the K7s to the Distro PCB.
 The K7 cable has **SQUARE** insulation for **positive +**
 You can connect up to six K7s
 If you connect..
 1 x K7: You do not need the distro pcb, connect directly to the drivers "SEC - +"
 2 x K7: connect to output 1 and 2, connect a jumper cable from "LED3 +" to "LED6 -"
 3 x K7: connect to output 1, 2 and 3, connect a jumper cable from "LED4 +" to "LED6 -"
 ...etc.

3. Now you can connect to mains

WARNING:

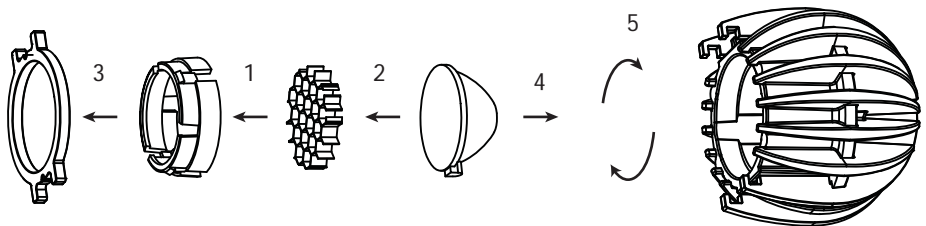
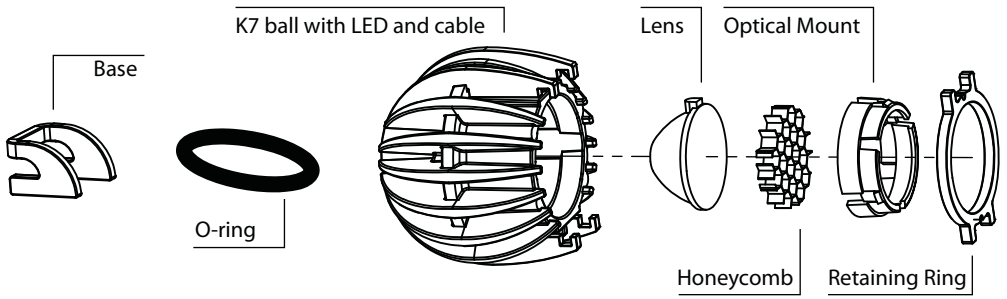
Do not connect or disconnect LEDs when power is ON.

This product is for professional use only and has been designed for indoor use. Exposure to moisture may cause damage to the product and will void your warranty. Do not operate the product if the ambient temperature exceeds 40°C / 104°F. Do not mount on flammable surface.

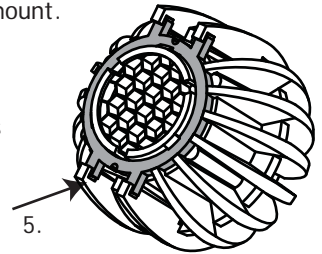
Customer service: Contact your regional dealer. Contact information can be found at www.brothers-sons.dk

The information in this manual is subject to change without notice. Go to www.brothers-sons.dk for the latest version. Brother, Brother & Sons ApS assumes no responsibility for any errors or inaccuracies that may appear in this manual.

Disposing of this product: This product is in compliance with the RoHS and WEEE directives. Help preserve the environment! Ensure that this product is recycled at the end of its life.



1. If you want to use the Honeycomb place it in the Optical mount.
2. Click the Lens in to the Optical mount.
3. Click the Optical mount into the Retaining ring.
4. Place the Optical ring on the ball
5. Twist the Optical ring so that the pins fits with the notches
- The magnet will keep it in place.



The K7 Twist has a magnetic mount and therefore requires a compatible surface such as iron.

Mounting with Base



The Base is used for 45° angles and less

Mounting with O-ring

